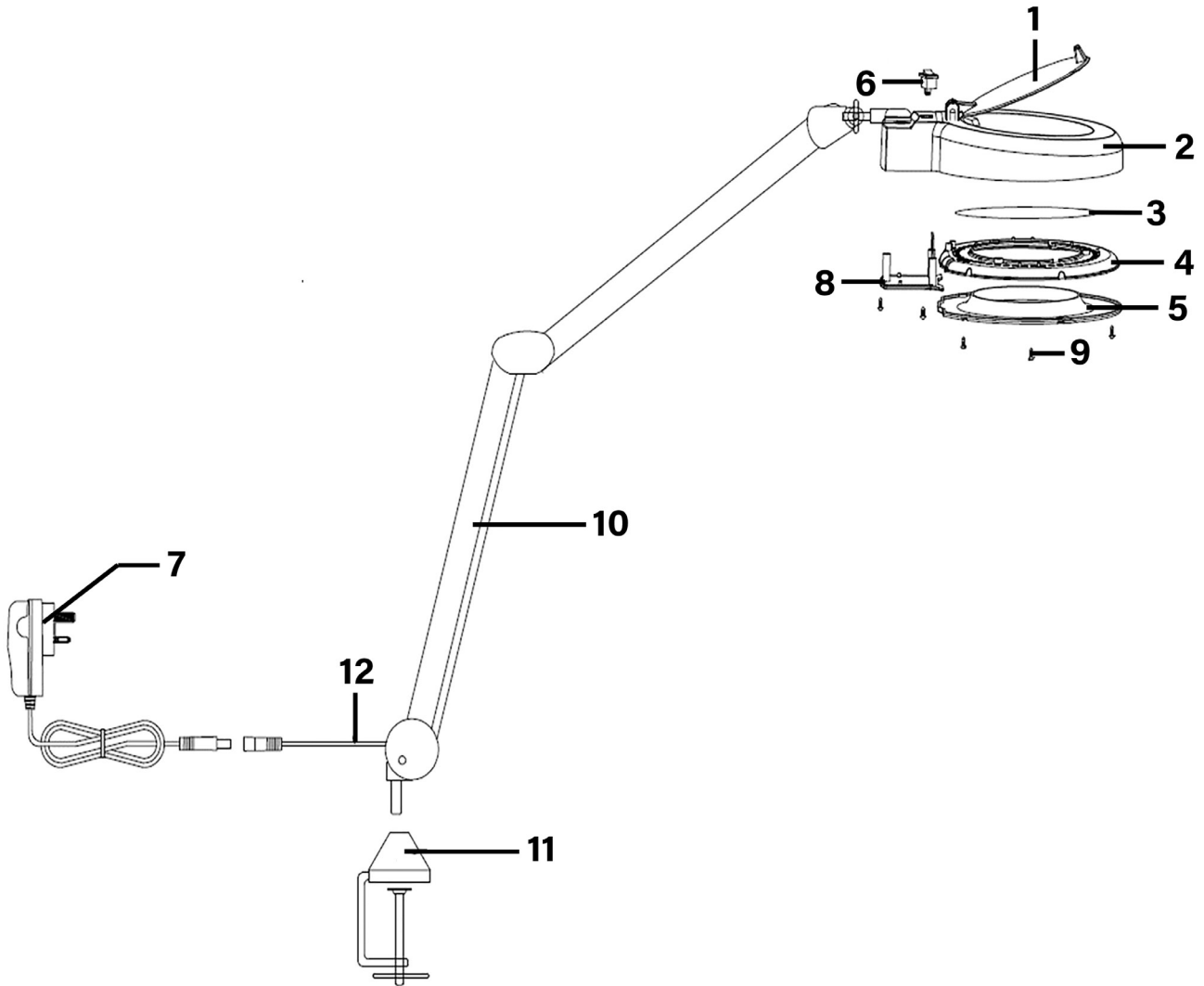




Parts Information:
Bench Mounting Magnifying Worklight
12W SMD LED
Model No: WL483D.V2



Item	Part No.	Description
1	WL483D-V2-01	Lens Cap
2	WL483D-V2-02	Upper Frame
3	WL483D-V2-03	Lens Cap
4	WL483D-V2-04	LED Board
5	WL483D-V2-05	Diffuser
6	WL483D-V2-06	Switch

Item	Part No.	Description
7	WL483D-V2-07	Main Power Adaptor
8	WL483D-V2-08	Switch Holder, Bottom
9	WL483D-V2-09	Screw
10	WL483D-V2-10	Swing Arm (Inc Connection Joint)
11	WL483D-V2-11	Table Clamp
12	WL483D-V2-12	DC Wire/Socket Outlet

NOTE: It is our policy to continually improve products and as such we reserve the right to alter data, specifications and component parts without prior notice. There may be alternative versions of this product, please contact us should you require this information.

IMPORTANT: No liability is accepted for incorrect use of product. Spare parts must be fitted by a competent person

WARRANTY: Guarantee is 12 months from purchase date, proof of which will be required for any claim.

Sealey Group, Kempson Way, Suffolk Business Park, Bury St Edmunds, Suffolk. IP32 7AR



01284 757500



sales@sealey.co.uk



www.sealey.co.uk